

## 5" Woofer R901

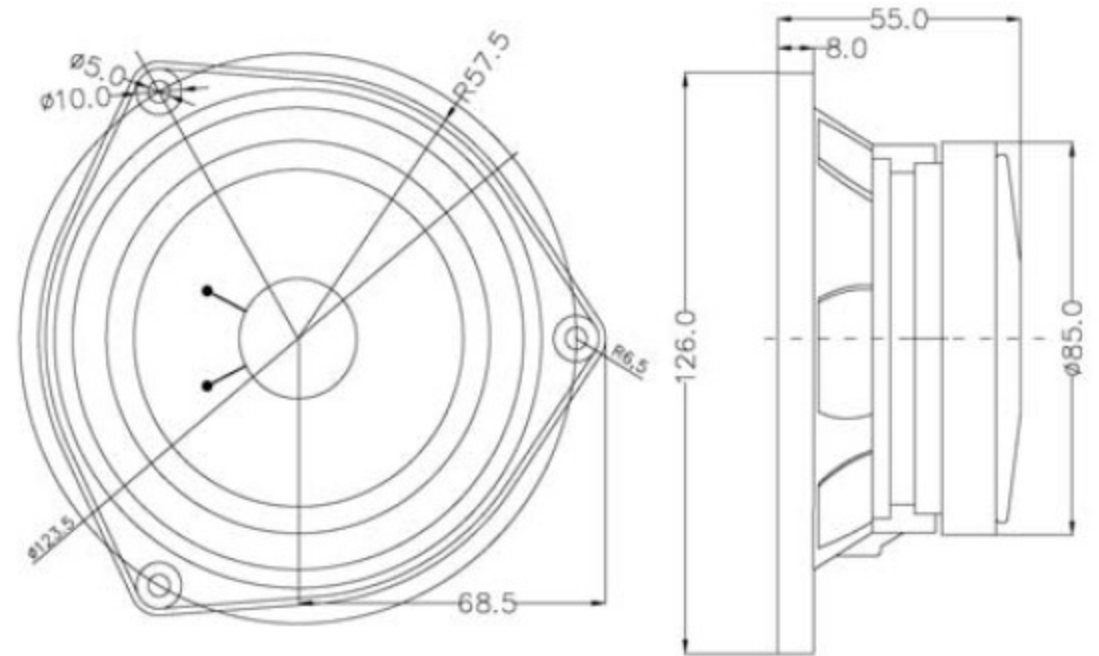
### Features:

- 🔊 Treated Paper cone.
- 🔊 FOAM surround.
- 🔊 25mm, 1 layer CCAR voice coil, BASV former.
- 🔊 Low carbon steel motor structure.
- 🔊 ABS frame, 3 holes BCP.
- 🔊 Will modify to match your Thiele Small Parameters.
- 🔊 All frames available in round or cropped.



### SPECIFICATIONS:

Nominal Impedance	1 Ohm
Recommended Frequency Range	74 - 16KHz
Long Term Power Handling	20 W
Short Term Power Handling	40 W
Sensitivity(1w/1m)	92 dB
Voice Coil Diameter	25 mm
Voice Coil Height	4.3 mm
Air Gap Height	6 mm
Linear Excursion	±1.15 mm
Voice Coil Resistance	0.6 Ohms
Voice Coil Inductance(1000Hz)	0.25 mH
Magnet Diameter	Φ85×12mm
Magnet Weight	0.292 kg
Free Air Resonance	74 Hz
Moving Mass	4.3 g
Suspension Compliance	1.0 mm/N
Effective Piston Area	68 cm <sup>2</sup>
Vas	7.0 Ltr
Qms	1.35
Qes	0.23
Qts	0.20
Total Weight	0.75 kg



Frequency response measured 2.83v/1m in free air.

