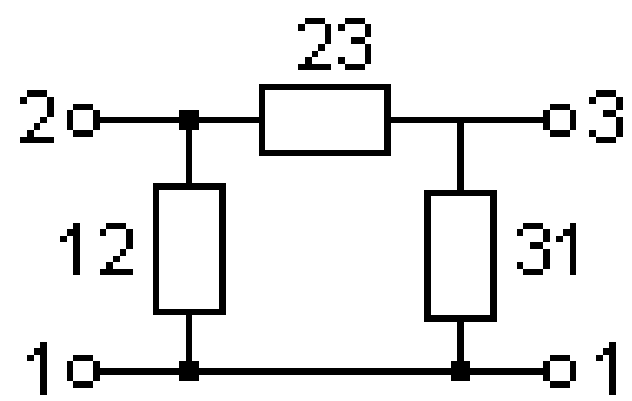


Y or T



Δ or Π

$$Z_{\Delta} = Z_{12} + Z_{23} + Z_{31} \quad Z_Y = Z_1 Z_2 + Z_2 Z_3 + Z_3 Z_1$$

$$Z_1 = \frac{Z_{12} Z_{31}}{Z_{\Delta}}, \text{ et cycl.} \quad Z_{12} = \frac{Z_Y}{Z_3}, \text{ et cycl.}$$

Y - Δ Transformation